

Brite Cor Module Surface Installation Manual



NOTES

- WARNING – Risk of fire or electric shock.
- WARNING - It is recommended that installation be performed by a certified electrician.
- All electrical connections must be in compliance with local codes, ordinances or the national electrical code (NEC). Contact your municipal building department to learn about your local codes, permits and/or inspections.
- Do not connect this Luminaire to an electrical system that does not provide means for equipment grounding. Never use a fixture in a two-wire system that is not grounded.
- If dimming functionality is included, use only with Litesheet approved dimmers.
- This unit is not approved for use in ducted ceilings.
- Do not use excessive force when manipulating cables and wires.
- WARNING – To prevent wiring damage or abrasion, do not pinch wires between surfaces.
- WARNING – If Luminaire is rated for retrofitting, do not connect Luminaire kit to the lamp ballast or the lamp holders.
- WARNING – Only connect Luminaire to the voltage indicated by the Luminaire label. It is intended for direct connection to this voltage. DO NOT connect to a different or unknown voltage.

Document #: 11-0007	Rev: E	Date: 8-23-2018
---------------------	--------	-----------------

CONTENTS OF KIT

1. LED luminaires
2. Mounting Hardware
3. (4) Plastic Toggle Drywall Anchors and Screws
4. Red key

TOOLS AND ADDITIONAL PARTS REQUIRED

1. Drill and 3/16" & 5/16" diameter drills
2. #2 Phillips Screw Driver
3. Hammer

Installation

1. Drill out (4) pilot holes on Brite Cor Module flange to 3/16" dia.



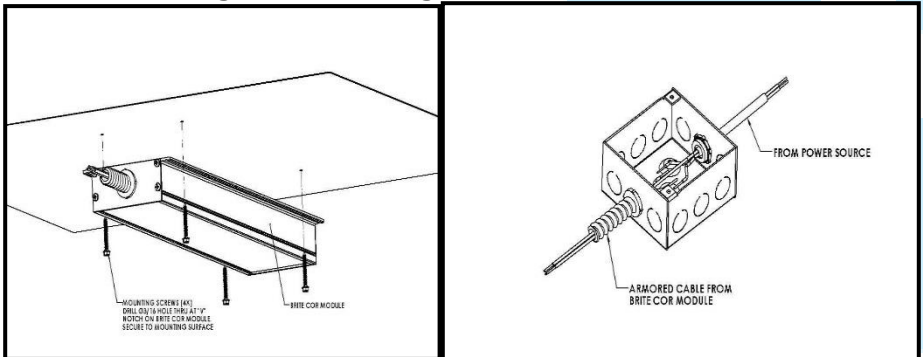
2. While holding the Brite Cor module to the desired surface, transfer the drilled hole locations to the drywall. Remove the Brite Cor Module and drill (4) 5/16" diameter holes.



3. Fold the anchor in the middle and insert anchor into one hole and tap flush. Insert red key to pop open the anchor open behind the wall. DO NOT HAMMER KEY. Remove red key. Repeat for remaining holes.



4. Place Brite Cor Module over anchors. Insert screws and tighten until flush with the mounting surface of the Brite Cor module – then stop. Secure armored cable connector to electrical box.
5. Use UL approved wire connectors to join power side black wire to Brite Cor Module black wire, and power side white wire to Brite Cor Module white wire. Connect green wires to ground.



Document #: 11-0007

Rev: E

Date: 8-23-2018