

# Damp Location Brik Series

Easy Installation – Mounts directly to electrical J-box

BBE2

AC DIRECT LED  
NO POWER SUPPLY NEEDED



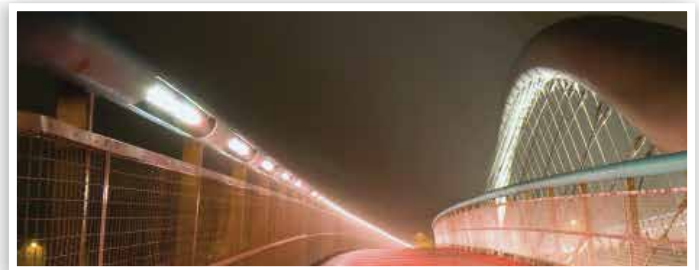
15  
YEAR  
WARRANTY



## PRODUCT DESCRIPTION :

- BriteCor Adaptive AC Direct – no DC power supply
- 450,000 hours MTBF of continuous operation
- Up to 141 lumens per Watt measured output
- Easily installed – Mounts directly to J-box\*
- Constant lifetime lumen output
- Maintenance-free
- Tested to operate in UL damp locations
- Optional polycarbonate front lens available
- 0-10VDC 3rd party compatible dimming optional

\*J-box not included



# Damp Location Brik Series

BBE2

## THE BRITECOR™ LIGHT ENGINE TECHNOLOGY

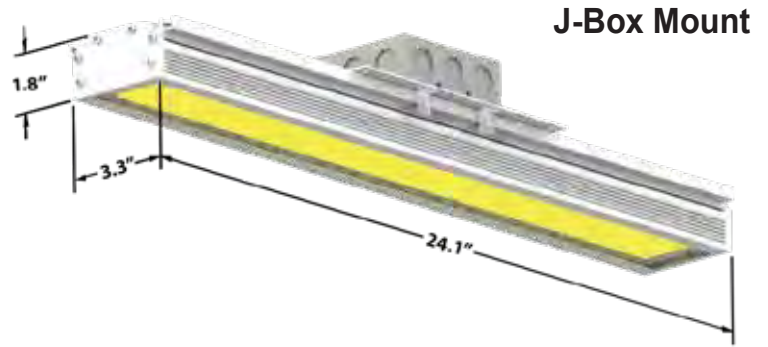
The BriteCor™ Light Engine is a patented Adaptive AC Direct LED Array Technology. Automatically adjusting the redundant LED mesh, BriteCor™ delivers a more efficient and reliable light without a DC power supply. Operating temperature range from -40C to 40C.

### FEATURES :

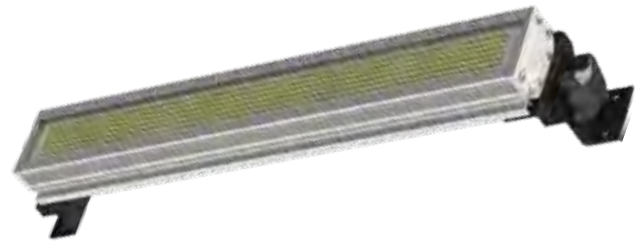
- Fixture :** Durable aluminum extrusion housing
- LED Module :** BriteCor™ AC Direct light engine
- Mounting :** Standard J-Box, optional Rotating Mount
- Warranty :** 15 years

### ELECTRICAL SPECIFICATIONS :

- Input Voltage :** 120, 277 VAC
- Power Input :** 24, 32 Watts



J-Box Mount



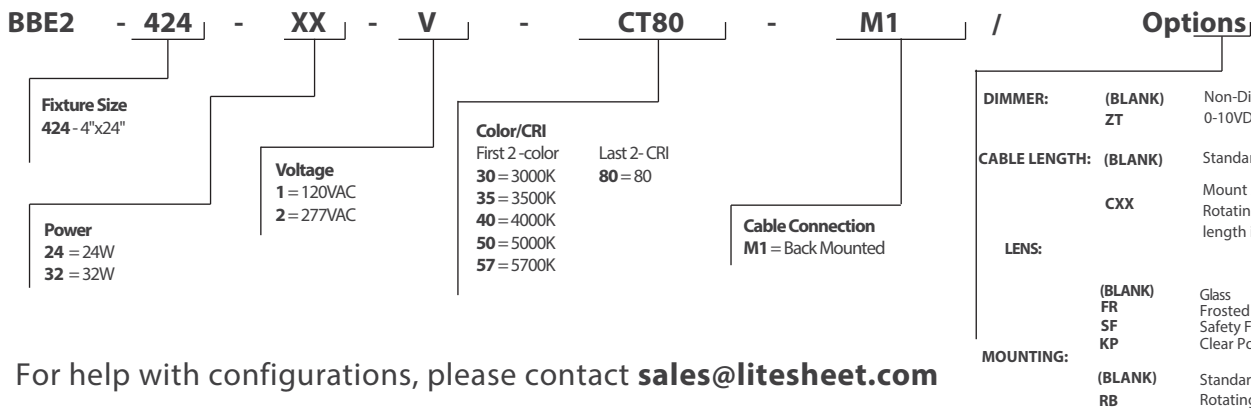
Rotating Bracket Mount



Size	Wattage	Initial Lumens (lm)	Delivered Efficacy (lm/W)
2ft	24	3385	141
2ft	32	4500	141

**BRITECOR™ AC DIRECT TECHNOLOGY**

### ORDERING INFORMATION



For help with configurations, please contact [sales@litesheet.com](mailto:sales@litesheet.com)

EXAMPLE: BBE2-424-32-1-4080-M1/ZT C6 SF RB

\*Results may change or vary. Product dimensions and specifications are subject to change without notice.