

# Damp Location Stik Series

Modular Design – Various Length Options Available

BSE2



## PRODUCT DESCRIPTION :

- ⊗ BriteCor Adaptive AC Direct – no DC power supply
- ⊗ 450,000 hours MTBF of continuous operation
- ⊗ Up to 131 lumens per Watt measured output
- ⊗ Easily mountable
- ⊗ Constant lifetime lumen output
- ⊗ Maintenance-free
- ⊗ Tested to UL standards to operate in damp locations for retrofit, replacement or new construction
- ⊗ Modular design for end-fed lights
- ⊗ 0-10VDC 3rd party compatible dimming optional



# Damp Location Stik Series

BSE2

## THE BRITCOR™ LIGHT ENGINE TECHNOLOGY

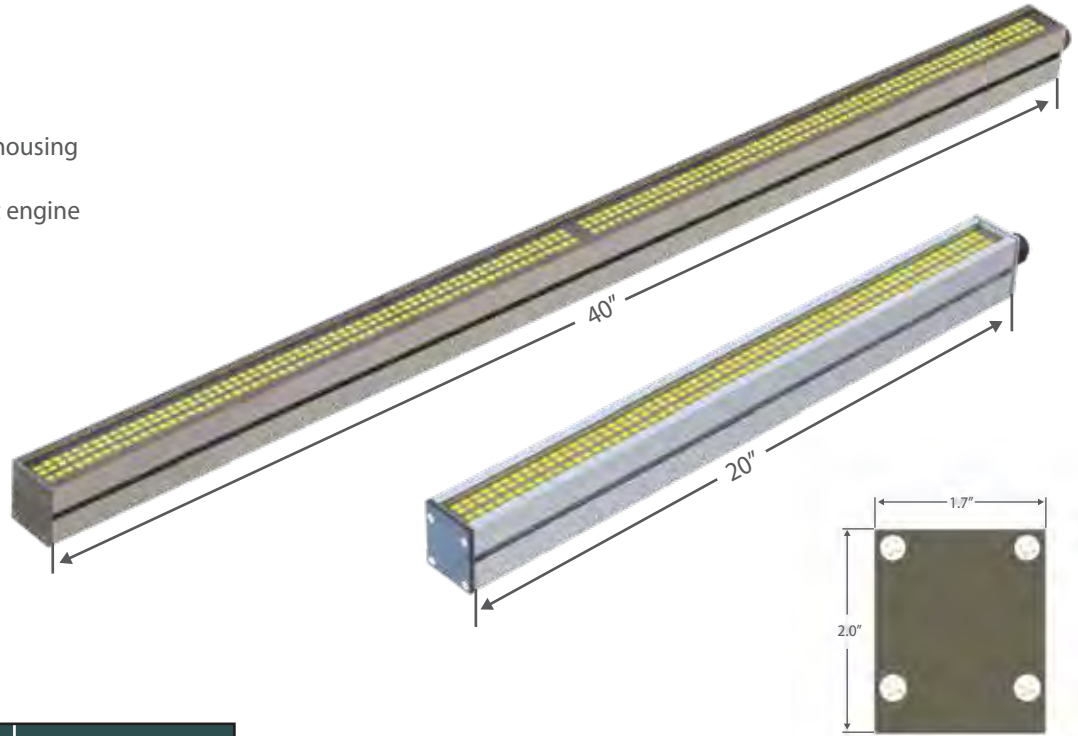
The BriteCor™ Light Engine is a patented Adaptive AC Direct LED Array Technology. Automatically adjusting the redundant LED mesh, BriteCor™ delivers a more efficient and reliable light without a DC power supply. Operating temperature from -40C to 40C.

## FEATURES :

- Fixture :** Durable aluminum extrusion housing
- Lens :** Impact resistant polycarbonate
- LED Module :** BriteCor™ AC Direct light engine
- Warranty :** 15 years

## ELECTRICAL SPECIFICATIONS :

- Input Voltage :** 120, 277 VAC
- Power Input :** 20, 40 Watts



Size	Wattage	Initial Lumens (lm)	Delivered Efficacy (lm/W)
20"	20	2200	110
40"	40	4400	110



## ORDERING INFORMATION

**BSE2** - **XXX** - **XX** - **V** - **CT80** - **C** - **C** / **Options**

- Fixture Size**  
120 - 1"x20"  
140 - 1"x40"
- Power**  
20W, 40W
- Voltage**  
1 = 120VAC  
2 = 277VAC
- Color/CRI**  
First 2 - color  
30 = 3000K  
35 = 3500K  
40 = 4000K  
50 = 5000K  
57 = 5700K  
Last 2 - CRI  
80 = 80
- End-1**  
J1= Jacketed cable w/pigtail  
Q1F= Quick Connect female 12"  
Q2F= Quick Connect female 12", right angle  
Q3F= Quick Connect small female 3"
- End-2**  
J1= Jacketed Cable w/pigtail  
Q1M = Quick Connect male 12"  
Q2M= Quick Connect male 12", right angle  
Q3M= Quick Connect small male 3"  
END= Solid end plate
- DIMMER:**  
(BLANK) None  
ZT 0-10VDC 3rd Party Compatible  
Note: The ZT option is not available with diffuser equipped fixtures
- DIFFUSER:**  
(BLANK) No Diffuser  
D Diffuser  
Note: Diffuser cannot be ordered on a dimmable fixture
- Accessories**  
QCSK-3 Quick Connect, small kit - (cable+cover)  
BSE2-EXT5 5' Extension cable for Q1 and Q2 options

For long end-fed configurations up to 170 feet, please contact [sales@litesheet.com](mailto:sales@litesheet.com)

EXAMPLE: BSE2-120-20-1-4080-J1-END/ZT

\*Results may vary. Product dimensions and specifications are subject to change without notice.