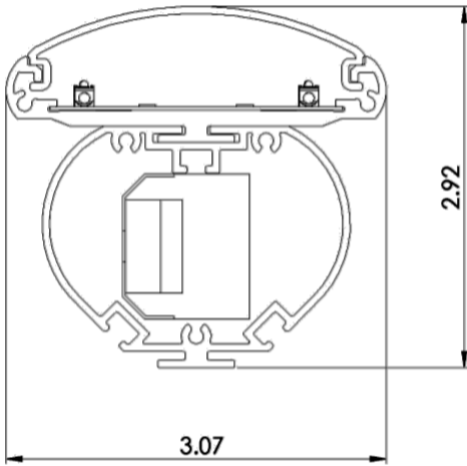


The LiteSheet BriteCor Linear Strip Link (BLSL) is easy to install and requires only one single power drop for long runs of continuous lighting. Each fixture utilizes a proprietary linking design to ensure straight rows and carries branch circuit voltage and 0-10V dimming seamlessly to the next fixture utilizing an interlinking power cable. The BLSL is available in 4' and 8' options and can be used as a companion product to the BriteCor Linear Strip Fixture (BLSF).

BLSL

BriteCor Linear Strip Link

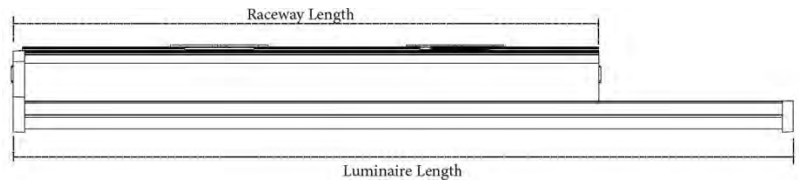


Specifications and Features:

- Housing:** Nominal 3" x 3" dual housings of extruded 6063 T5 Aluminum
- Listing & Ratings:** ETL: Listed for Damp Locations, UL 1598, 8750
- Finish:** Clear Anodize, Black Anodize, Custom Colors Available Upon Request
- Mounting Options:** Pendant Mount, Surface Mount, Rotational Mount
- BriteCor Light Engine:** Patented AC Direct Driver-less Technology
- Wattage:** 40W (4' Fixture) 80W (8' Fixture)
- Voltage Options:** BriteCor-No DC Power Supply, 120VAC or 277VAC, 60Hz
- Warranty:** 15-Year Warranty for -40°C to +50°C Environment.

Fixture Dimensions

MODEL	NOMINAL LENGTH	LUMINAIRE LENGTH	RACEWAY LENGTH	WEIGHT
BLSL-4	4ft.	48.0" (1,219mm)	45.6" (1,158mm)	8 lbs. max (3.6 kg)
BLSL-8	8ft.	91.6" (2,327mm)	83.5" (2,121mm)	16 lbs. max (6.4 kg)



Order Information Example: **BLSL-4-40-2-5080-S-CA-PM/ZT**

BLSL		4						
Model	Size	Wattage	Voltage	CCT/CRI	Link Type	Fixture Color	Mounting	Options
BLSL= BriteCor Linear Strip Link	4=4' Fixture 8=8' Fixture	40=40w 80=80w	1=120V 2=277V	3580=3500K/80CRI 4080=4000K/80CRI 5080=5000K/80CRI	S=Starter M=Middle E=End	CA=Clear Anodize BA=Black Anodize C=Custom (Consult Factory)	PM=Pendant Mount SM=Surface Mount RM=Rotational Mount	ZT=0-10VDC 3rd Party Compatible D= Extra Diffuser OS=Occupancy Sensor

Project Information:

Project Name: _____ Fixture Type: _____

Complete Catalog #: _____ Date: _____

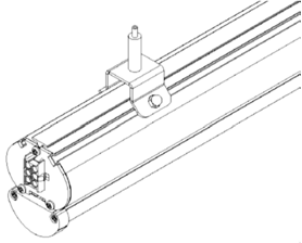
Comments: _____

Certification & Listings:

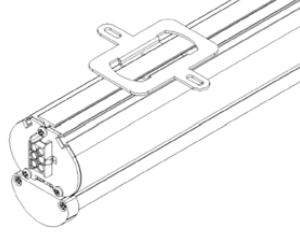


Specifications subject to change without notice.

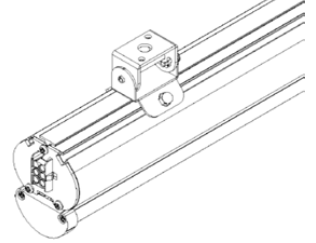
Mounting Options:



BLSL Shown with Pendant Mount Bracket



BLSL Shown with Surface Mount Bracket



BLSL Shown with Rotational Mount Bracket

Row Configurations:



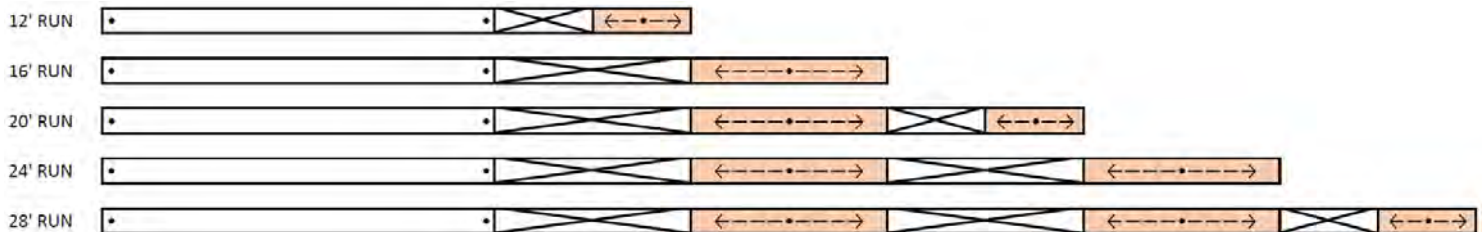
Each run of the BriteCor Linear Strip Link (BLSL) includes a starter and end fixture. Runs over 12' or 16' will include middle fixtures to build the run to the requested length. Each middle and end fixture includes a link connector and our proprietary sleeve cover. This sleeve cover ensures straight runs at any length.

Standard runs over 8' are as follows:

12' RUN	8	4		
16' RUN	8	8		
20' RUN	8	8	4	
24' RUN	8	8	8	
28' RUN	8	8	8	4

Mounting Locations:

Each starter fixture will be provided with (2) mounting supports. Each additional fixture will be provided with (1) support which can be located anywhere along the 2nd half of the fixture (highlighted):



Maximum Run Lengths:

200 feet for 277V and 100 feet for 120V

Photometric Performance

Based on 3500K CCT. Other CCT available.

MODEL	LUMENS	INPUT WATTS	Lm/W
BLSL-4-3580	4,800	40	120
BLSL-8-3580	9,600	80	120

Row Configurations:

Each fixture will be manufactured with 300v, 14ga AWG mains wiring

Specifications subject to change without notice.